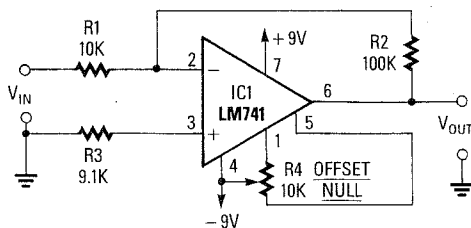


WORKING WITH OP-AMPS



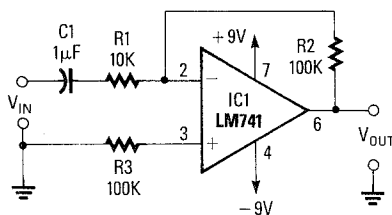
NOTES:
 $A_V = \frac{R_2}{R_1}$
 $V_{OUT} = -A_V \times V_{IN}$
 $Z_{IN} = R_1$
 $R_3 = R_1 || R_2$

FIG. 1—INVERTING DC AMPLIFIER with offset nulling and $\times 10$ voltage gain.

OP-AMPS

Op-amp du jour—a little of this and a little of that.

RAY MARSTON



NOTES: $R_3 = R_2$
 $\text{CLOSED-LOOP BW} = \frac{F_T}{A_V}$
 $F_T = \text{OPEN-LOOP BANDWIDTH}$
 $A_V = \text{CLOSED-LOOP GAIN}$

FIG. 2—INVERTING AC AMPLIFIER with $\times 10$ voltage gain.

LET'S DESIGN CIRCUITS AROUND THE STANDARD LM741 op-amp, powered by a ± 9 -volt supply. Starting with inverting and non-inverting configurations, and how they work, we'll move on to voltage followers, biasing theory, adders and subtractors, and phase splitters. We'll finish up with active filters. In practice, however, as long as the supply voltage stays the same, any op-amp can be substituted for the LM741 without modifying any of our circuits.

Inverting op-amp

Figure 1 shows an inverting DC-amplifier with an overall voltage gain (A_V) of 10. The voltage gain is determined by the resistance ratio R_2/R_1 ; by substituting a potentiometer for fixed resistor R_2 , the voltage gain can be made variable. The V_{OUT} formula shows the gain (A_V) to be negative because the output voltage is inverted 180 degrees from the input.

Offset nulling via R_4 is used to adjust the output voltage to zero when the input voltage is zero. If the offset-nulling network is removed, the output voltage will be offset by an amount equal to the op-amp's input-offset voltage (typically 1 mV) multi-

plied by the closed-loop voltage gain (A_V). For example, if the circuit has a gain of 100, the output may be offset by 100 mV when both inputs are grounded. For offset biasing stability, R_3 should have a value equal to the parallel value of R_1 and R_2 .

As shown in Fig. 2, by wiring a coupling capacitor in series with the input resistor R_1 , an AC amplifier is created. Notice that offset nulling is not needed and, for optimum biasing, R_3 is given a value equal to R_2 .

In the small-signal AC amplifier, the closed-loop BW (bandwidth) is equal to the open-loop BW (F_T) divided by the gain (A_V). For example, when the F_T is 1 MHz and A_V equals 10, then the closed-loop BW equals 100 kHz. The F_T value for any op-amp is obtained from the manufacturer's specification sheet: The LM741's F_T is typically 1 MHz.

Non-inverting op-amp

Shown in Fig 3 is a non-inverting $\times 10$ DC amplifier with offset compensation. The voltage gain is determined by $[(R_2/R_1) + 1]$. If R_2 is given a value of zero (a short circuit), the gain falls to unity. As shown in Fig. 4, the gain can be made variable, over

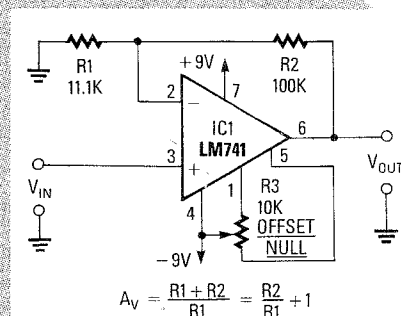


FIG. 3—NON-INVERTING DC AMPLIFIER with offset nulling and $\times 10$ voltage gain.

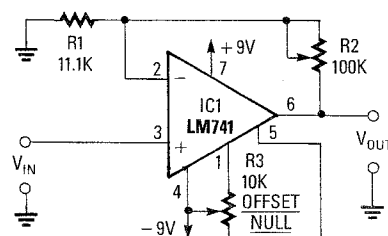


FIG. 4—NON-INVERTING VARIABLE-GAIN DC amplifier.

the range of 1 to 101, by replacing R_2 with a potentiometer and connecting the wiper to the inverting input. The parallel value of R_1 and R_2 should ideally (for optimum biasing) be equal to the source resistance of the input signal. A major feature of the non-inverting op-amp is its high input-impedance, which can easily have a value of hundreds of megohms.

Figure 5 shows a $\times 10$ non-inverting AC amplifier. Notice, here, that gain-control resistors R_2 and R_1 are isolated from ground via the bypass capacitor C_2 . At operating frequen-

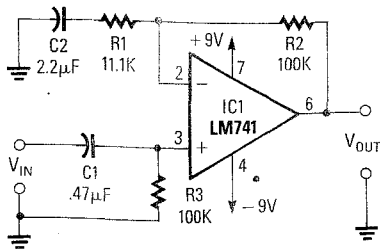


FIG. 5—NON-INVERTING $\times 10$ AC amplifier with 100,000-ohm input impedance.

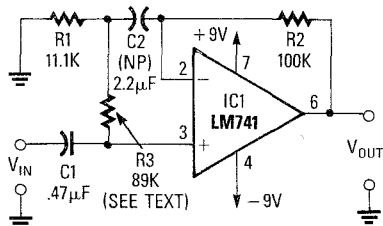


FIG. 6—NON-INVERTING $\times 10$ AC amplifier with 50-megohm input impedance.

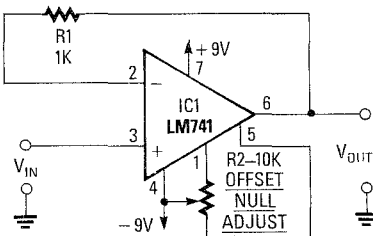


FIG. 7—DC VOLTAGE FOLLOWER with off-set nulling.

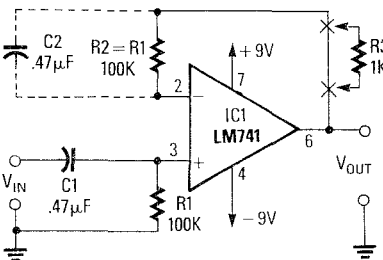


FIG. 8—AC-VOLTAGE FOLLOWER with 100,000-ohm input impedance.

cies, C2 has negligible impedance, so the AC-voltage gain is determined by the R2/R1 ratio; however, because there's no return path for output DC to ground, the inverting input is subject to virtually 100% DC negative feedback, that is, unity gain. But for unity gain, wouldn't resistor R2 need to be a direct short for 100% feedback? Not quite; let's see why.

Except for input-offset currents, no DC current flows through feedback resistor R2, so there's no voltage drop and, consequently, whatever voltage

appears at the output (pin 6) also appears at the inverting input (pin 2). It sounds surprising, but as far as DC is concerned, R2 looks like a short circuit from pin 6 to pin 2. For optimum input-current biasing, R3 should have a value equal to that of R2. Clearly, the non-inverting input impedance equals the R3 value.

Figure 6 shows how to design for a high input impedance (typically 50 megohms). The low end of R3 is taken to ground via R1, which determines the input impedance. Ideally, feedback resistor R2 should have the same value as R1 for correcting input-current offsets. However, if R2's value is very high, it may reduce the bandwidth too much; that problem can be overcome by shunting R2 with C2. Further stability can be achieved for high open-loop BW op-amps by connecting R3 in series with R2.

Figure 9 achieves an extremely

Voltage follower

A voltage follower produces an output signal identical to the input signal. The circuit functions as a unity-gain non-inverting amplifier with 100% negative feedback, where the input impedance is very high and the output impedance is very low. Figure 7 shows a voltage follower with offset nulling; however, there would be an output error of only a few millivolts by eliminating the offset nulling entirely. Notice that, for optimum input-current biasing, feedback resistor R1 should have a value equal to the source resistance of the input signal.

The value of feedback resistor R1 can be varied over a wide range (from zero to 100,000 ohms) without greatly influencing the output accuracy. If an op-amp has a low open-loop BW, the

R1 value can usually be reduced to zero. However, many op-amps with a high open-loop BW tend towards instability when used in the unity-gain mode. To reduce the bandwidth and enhance op-amp stability, R1 should be 1000 ohms or greater.

Figure 8 shows an AC version of the voltage follower. Here, the input AC-signal is coupled through C1, and the non-inverting input is tied to ground via R1, which determines the input impedance. Ideally, feedback resistor R2 should have the same value as R1 for correcting input-current offsets. However, if R2's value is very high, it may reduce the bandwidth too much; that problem can be overcome by shunting R2 with C2. Further stability can be achieved for high open-loop BW op-amps by connecting R3 in series with R2.

Figure 9 achieves an extremely

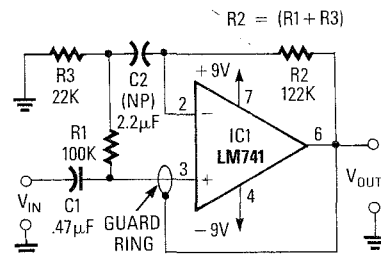


FIG. 9—AC VOLTAGE FOLLOWER with 50-megohm input impedance without guard ring, or 500 megohms with the guard ring.

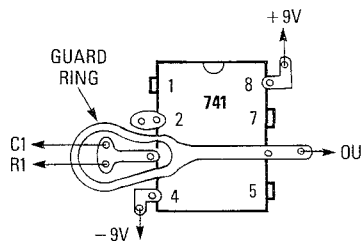


FIG. 10—GUARD RING ETCHED ON A PCB as viewed through the top of the PC board.

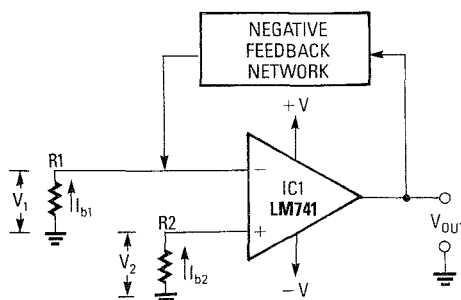


FIG. 11—INPUT BIASING of an op-amp.

$$\text{NOTES: } I_{b1} = I_{b2} = I_b$$

BIASING OUTPUT ERROR:

$$V_{OUT} = I_b (R2 - R1)A_v$$

$$= A_v(V_2 - V_1)$$

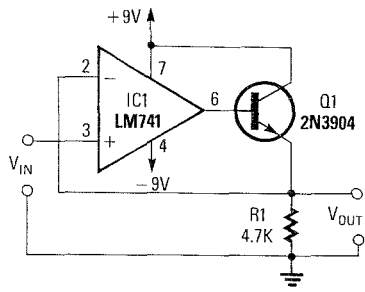


FIG. 12—UNI-DIRECTIONAL BOOSTED output-current drive in a DC voltage follower.

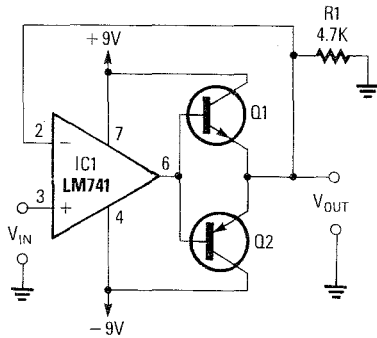


FIG. 13—BI-DIRECTIONAL BOOSTED output-current in a DC voltage follower.

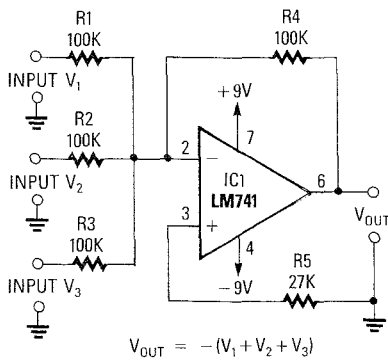


FIG. 14—UNITY-GAIN DC ADDER.

high input impedance, where R1 is "bootstrapped" from the op-amp output via C2, causing R1's impedance to increase to near infinity—resulting in about a 50-megohm input impedance. The input impedance is still limited by the leakage impedances of the op-amp's IC socket and PCB, which can also be bootstrapped and raised to near-infinite values by using a printed circuit "guard ring" surrounding the op-amp's input pin. In that case, Fig. 9 would have a 500-megohm input impedance when using a LM741 op-amp, or even greater if a FET-input op-amp is used. Figure 10 shows a guard ring etched on a PCB.

Biasing accuracy

In Figs. 1 through 9, great emphasis was placed on selecting component values for optimum input biasing. Figure 11 shows a circuit for testing the input-offset bias. Both inputs are tied to ground via resistors R1 and R2; equal input bias currents, I_{b1} and I_{b2} , are drawn through those resistors, thereby generating equal voltage drops. Because a zero-differential voltage appears across the input, a biasing error of zero volts will appear at the output. If, on the other hand, R1 and R2 do not have equal values, or the input bias currents are slightly different, the voltage drops across each resistor will differ; that will produce an input differential voltage that will be amplified by A_V to produce an

output-offset voltage. How significant is that output-voltage error, really?

In practice, a bipolar op-amp such as the LM741 has a typical I_b value of about 200 nA (0.2 μ A), producing a voltage drop of 0.2 mV across a 1000-ohm resistor. FET-input op-amps have typical I_b values of about 0.02 nA, producing a voltage drop of a mere 0.02 μ V across a 1000-ohm resistor. Therefore, in Fig. 11, if the R1 and R2 values differ by as much as 10,000 ohms, a LM741 op-amp will produce a biasing output error of only 2 mV in a unity-gain voltage follower, or 20 mV for a $\times 10$ amplifier. If a FET-input op-amp is used in place of the LM741, the biasing output error of the voltage follower will be a mere 0.2 μ V, and for the $\times 10$ amplifier, a mere 2 μ V.

It follows that Figs. 1 through 9 can accept considerable latitude in their biasing component values. With that in mind, let's look at more circuits.

Current-boosted follower

Most op-amps can provide maximum output currents of only a few milliamperes. However, as shown in Fig. 12, the current-driving capacity of a voltage follower can be easily increased by wiring an emitter-follower transistor to the output. Notice that the base-emitter junction is wired into the negative-feedback loop, which virtually eliminates the effects of junction non-linearity. That technique is not used in Fig. 13, which

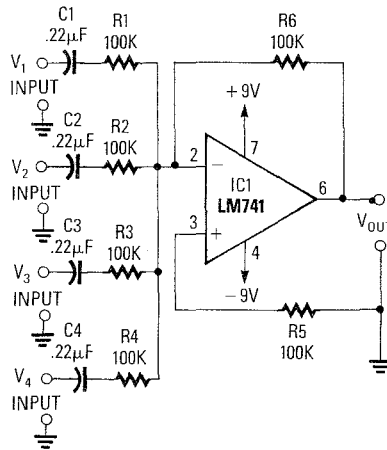


FIG. 15—4-INPUT AUDIO MIXER.

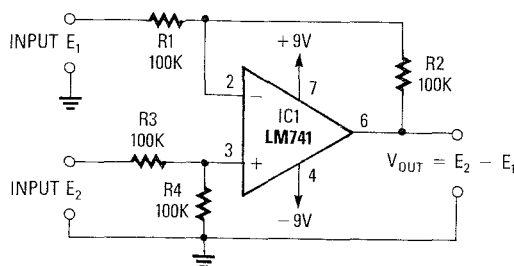


FIG. 16—DIFFERENTIAL AMPLIFIER, or subtractor.

NOTES:

$$\text{WHEN, } \frac{R_1}{R_2} = \frac{R_3}{R_4}$$

$$\text{THEN, } A_V = \frac{R_2}{R_1}$$

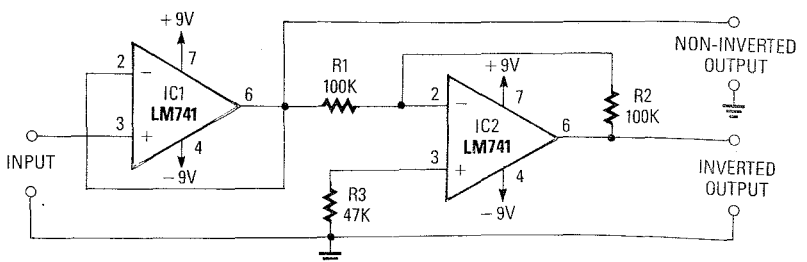


FIG. 17—BALANCED PHASE-SPLITTER.

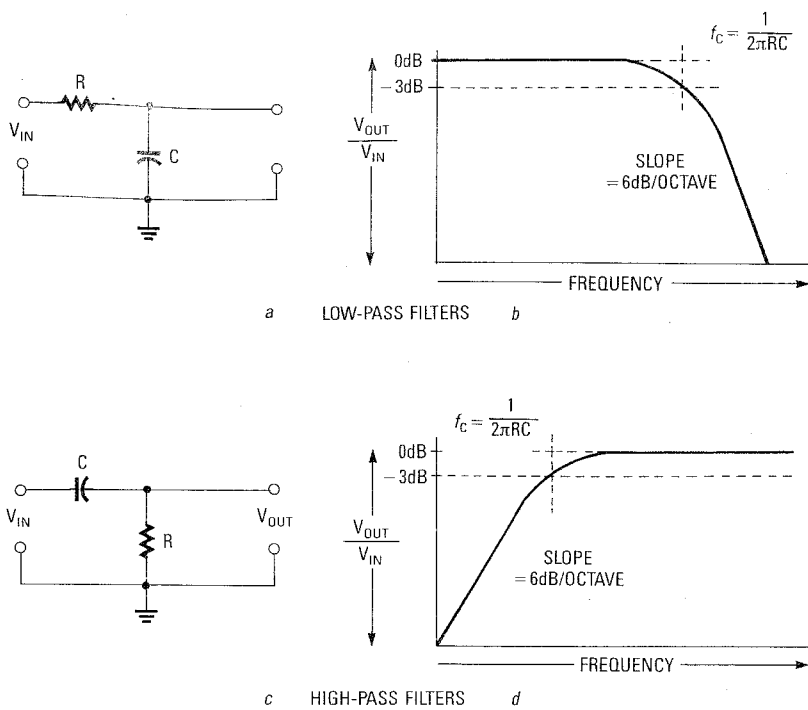


FIG. 18—1st-ORDER RC FILTERS FREQUENCY RESPONSE CURVES: (a) is a passive low-pass filter, and (b) is its frequency response; (c) is a passive high-pass filter, and (d) is its frequency response.

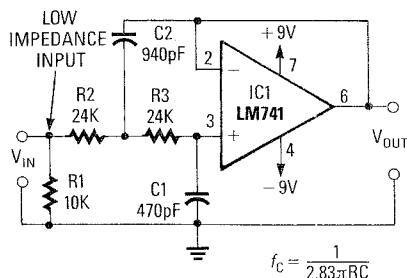


FIG. 19—2ND-ORDER LOW-PASS 10-KHZ unity-gain active filter.

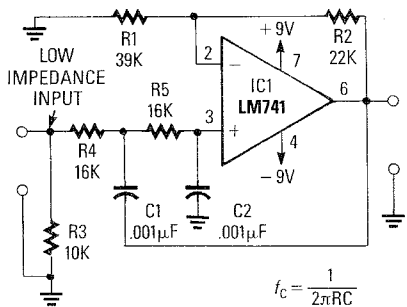
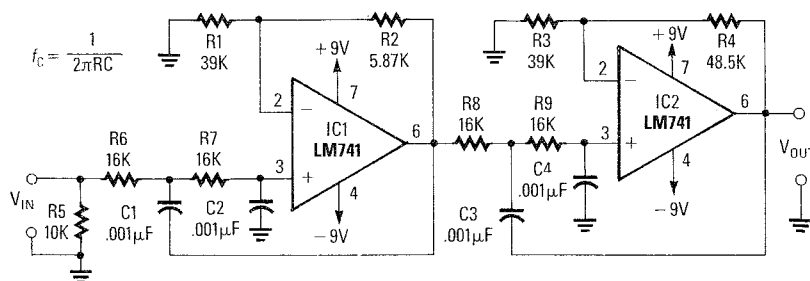


FIG. 20—2ND-ORDER LOW-PASS 10-KHZ equal-value-component active filter.

produces significant cross-over distortion as the output swings past zero volts. The distortion can be eliminated by suitably biasing Q1 and Q2; in which case, the circuit can form the basis of a good hi-fi amplifier.

Adders and subtractors

Figure 14 shows a unity-gain DC-voltage adder, which gives an inverted



NOTES: IC1 $A_{v1} = \frac{R_2}{R_1} + 1$
IC2 $A_{v2} = \frac{R_4}{R_3} + 1$

FIG. 21—4TH-ORDER 10-KHZ low-pass filter.

output voltage equal to the sum of the three input voltages. The current flowing in R4 is equal to the sum of the currents in R1 through R3. If required, the circuit can be made to give a voltage gain greater than unity by simply increasing the value of feedback resistor R4. Figure 15 is a 4-input audio mixer using AC input-coupling capacitors.

Figure 16 shows a unity-gain DC differential amplifier, also called a subtractor, where the output equals the difference between the two input-

signal voltages; if the component values are chosen such that $R_2 = R_4$ and $R_1 = R_3$, then the voltage gain, A_v , equals R_2/R_1 .

Balanced phase-splitter

A phase-splitter has two outputs that are identical in both amplitude and form, but one output is phase-shifted by 180 degrees relative to the other. Figure 17 shows a unity-gain DC phase splitter. Here, IC1 acts as a unity-gain non-inverting amplifier, while IC2 acts as a unity-gain inverting amplifier that provides the 180 degrees phase-shifted output.

Active filters

Filter circuits are used to reject unwanted frequencies while passing frequencies that the designer wants. The low-pass RC filter in Fig. 18-a, passes low-frequency signals, but rejects high-frequency signals. Once the output falls to 3 dB at a "break" or "cross-over" frequency, as Fig. 18-b shows, the output continues to rolloff at a rate of 6 dB/octave (20 dB/decade) as the frequency increases. For example, a 1-kHz low-pass filter gives 3-dB rejection at 1 kHz, 9-dB rejection at 2 kHz, and, roughly, a 15-dB rejection to a 4-kHz signal (or 20 dB

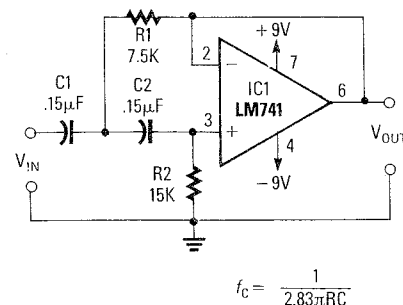
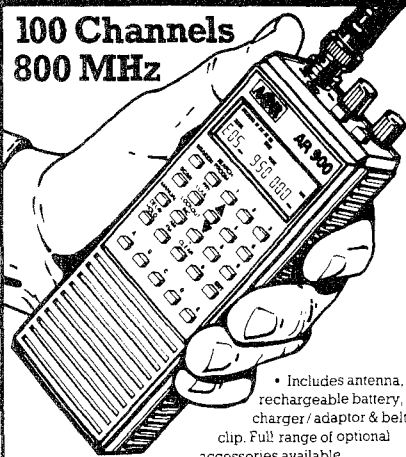


FIG. 22—2ND-ORDER 100-HZ HIGH-PASS unity-gain active filter.

New Scanner by AOR

**100 Channels
800 MHz**



- Includes antenna, rechargeable battery, charger / adaptor & belt clip. Full range of optional accessories available.

- Covers 27-54 MHz, 108-174 MHz, 406-512 MHz, and 830-950 MHz.
- 5 Scan Banks and 5 Search Banks.
- 25 Day Satisfaction Guarantee. Full Refund if not Satisfied.
- No Frequencies cut out.
- Size: 2" x 5 1/4" x 1 1/4" wt: 12 oz.

AR900

Total Price, Freight Prepaid
(Express Shipping Optional)

\$299.00

ACE

COMMUNICATIONS

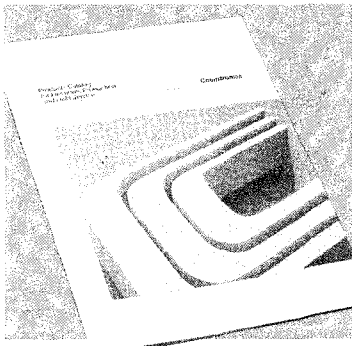
10707 E. 106th St. Indpls., IN 46256

Toll Free 800-445-7717

Visa and MasterCard
(COD slightly higher)

In Indiana 317-849-2570 Collect FAX (317) 849-8794

CIRCLE 183 ON FREE INFORMATION CARD



CHEMICAL SOLUTIONS

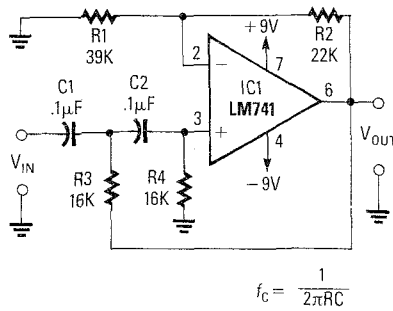
FREE CHEMTRONICS CATALOG!

Comprehensive new source for over 200 products used in electronic manufacturing and field service. Precision cleaning agents, flux removers, bulk solvents, circuit refrigerants, precision dusters, non-residual wipers, foam swabs, premoistened pads/swabs, antistatic compounds, conformal coatings, lubricants, adhesives, desoldering braids, rosin core solder and solder masking agents. Complete with technical specifications and application guide.



Chemtronics Inc.
681 Old Willets Path
Hauppauge, N.Y. 11788
516-582-3322

CIRCLE 54 ON FREE INFORMATION CARD



$$f_c = \frac{1}{2\pi RC}$$

FIG. 23—2ND-ORDER 100-HZ HIGH-PASS equal-value-component active filter.

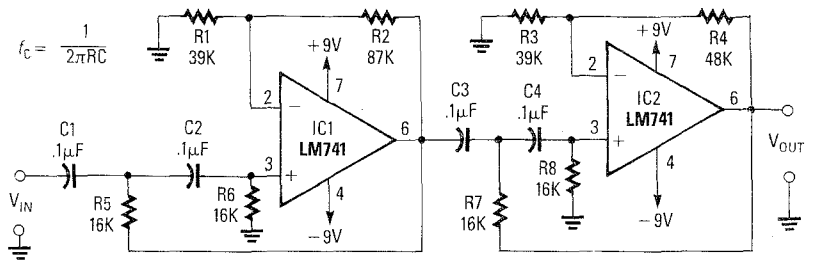


FIG. 24—4TH-ORDER 100-HZ HIGH-PASS FILTER.

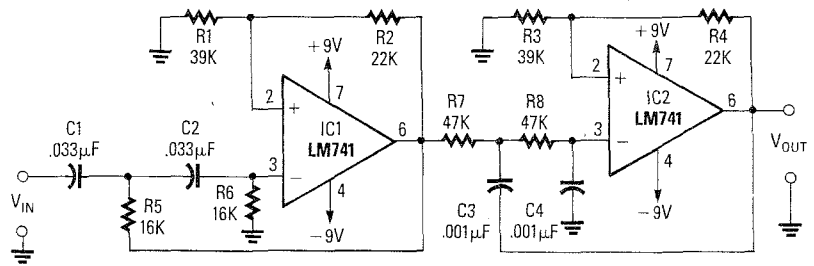


FIG. 25—300-HZ TO 3.4-KHZ SPEECH FILTER with 2nd-order response.

the feedback network of an op-amp making what are known as "active" filters. Let's look at practical designs.

Figure 19 shows a Butterworth 2nd-order low-pass filter with a break frequency at 10 kHz. That design gives unity gain within its passband. To change the break frequency, simply change either the R or the C value. A major disadvantage of Fig. 19 is that the value of C2 must be precisely twice the value of C1 for correct operation and, in practice, that can result in some rather odd component values.

to a 10-kHz signal). Notice that the octave of 1 kHz is 2 kHz, and the octave of 2 kHz is 4 kHz; each octave causes an added attenuation of 6 dB.

The high-pass RC filter in Fig. 18-c, passes high-frequency signals but rejects low-frequency signals. After the output is 3-dB down at a break frequency, as Fig. 18-d shows, the output continues to roll-off at a rate of 6 dB/octave.

Each of the two filter circuits uses a single RC stage, and is known as the "1st order" filter. If we cascade "n" filter stages, it would be known as an "nth order" filter, and would have an output slope beyond the break frequency of (n × 6 dB)/octave.

Unfortunately, simple RC filters cannot be simply cascaded, because each filter section would interact with each other, resulting in poor performance. All of that can be overcome by incorporating the same filter into

Figure 20 shows an alternative 2nd-order 10-kHz low-pass filter, which overcomes that design snag by using equal capacitor values. Notice here that the op-amp is designed to give a voltage gain (4 dB) via R2 and R1.

Figure 21 shows how equal-value-component filters can be cascaded to make a 4th-order low-pass filter with a slope of 24 dB/octave.

Figures 22 and 23 shows a unity-gain and equal-value component versions, respectively, of 2nd-order 100-Hz high-pass filters. Figure 24 shows a 4th-order 100-Hz high-pass filter. The operating frequency can be changed by increasing either the resistor or capacitor values to reduce the break frequency. Finally, Fig. 25 shows how a high-pass and low-pass filter can be wired in series to make a 300-Hz to 3.4-kHz speech filter that gives 12-dB/octave rejection to all signals outside of that range.